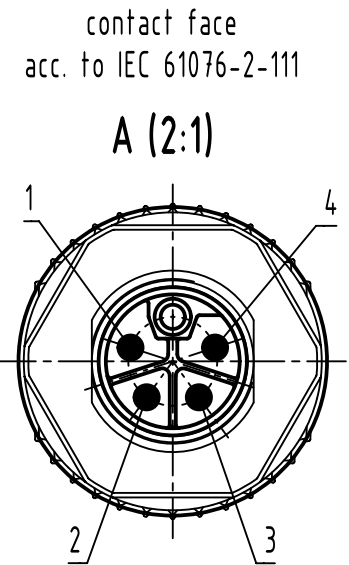
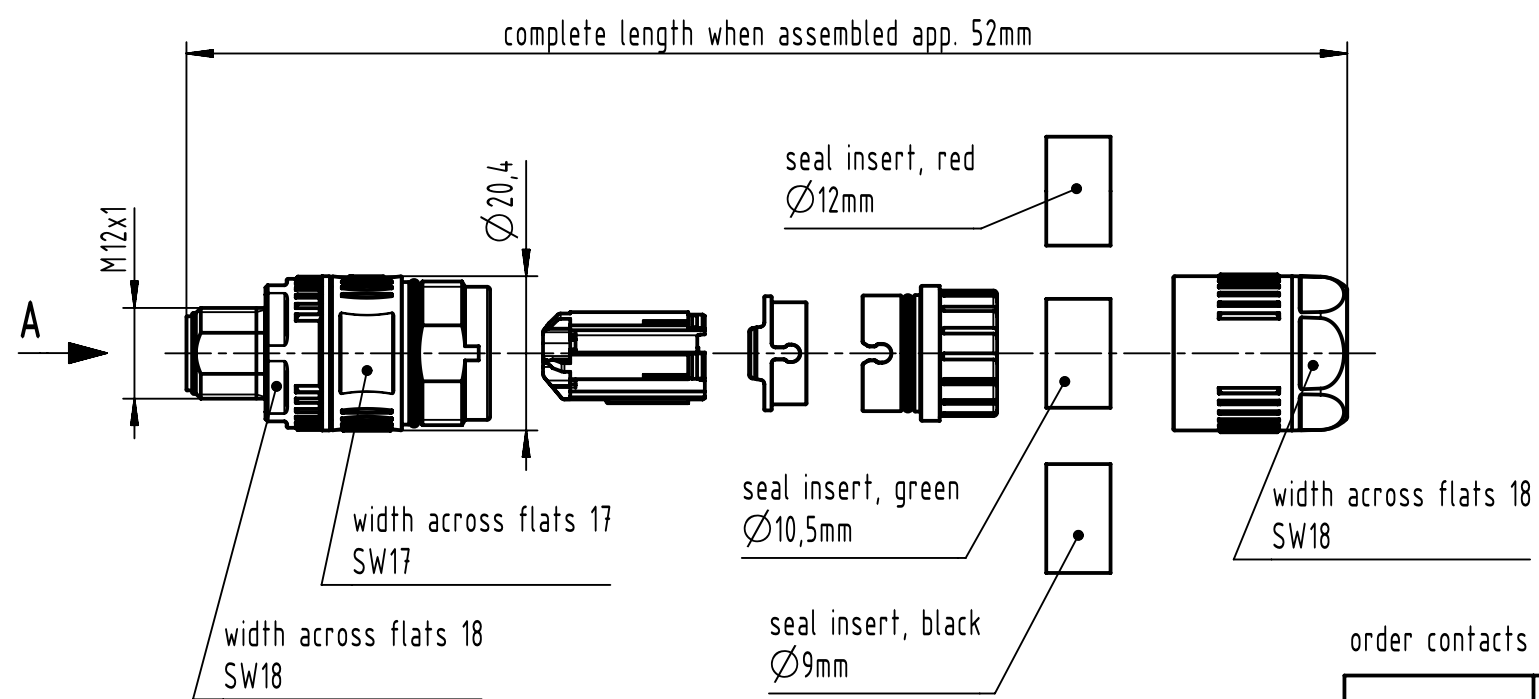


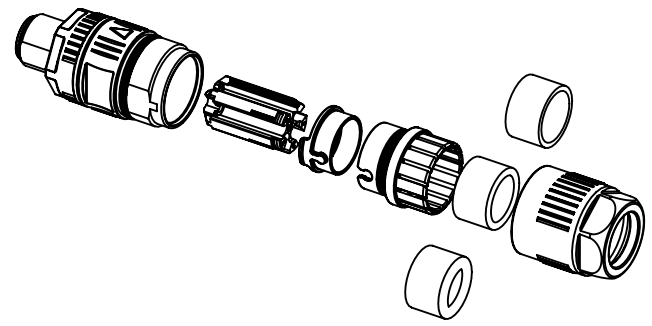
1 2 3 4 5 6

A
B
C
D



order contacts separately

cable Ø	wire gauge	part number
		4 x male contact
6.6 - 11.6mm	2.5mm ² / AWG14	21 01 100 9938
	1.5mm ² / AWG16	21 01 100 9937
	0.75mm ² / AWG19	21 01 100 9963
	0.5mm ² / AWG20	21 01 100 9962



All Dimensions in mm Original Size DIN A4	Scale 1:1	Free size tol.		Ref.
	All rights reserved Department EL PD	Created by HASSE	Inspected by FRIESENH	Standardisation
HARTING D-32339 Espelkamp	Title M12-P-CC-CRIMP-4P-LCOD-M-STR-SHLD			Doc-Key / ECM-Nr. 1007654.72/UGD/001/C 5000002024.06
	Type TB	Number 21038961410		Rev. C Page 1/1
				State Final Release